



# VISION ENGINEERS

AN ISO 9001-2015 CERTIFIED co.

## PRODUCT CATLOG



## Introduction

The manufacturing activity that started off in one small industrial building is today conducted in four well equipped manufacturing units.

Being an ISO 9001 certified firm, we are highly quality conscious and take every initiative to meet and exceed the international quality standards in our products. To ensure the supreme quality finishing in our products, we procure premium quality raw materials from renowned and reliable suppliers of the industry. We conduct stringent quality tests and implement rigid quality control techniques at every stage of production to ensure flawless products. All products are tested for operation and performance as per the test plans drawn from prevailing industry standards (Domestic and International).

Our clients are from industries including Steel, Aluminium, Chemical, Pharmaceutical, Fertilizer, Oil and Gas, Manufacturing, Power, Petrochemical, Electronics, Water Treatment, Food Processing, Hydro-Carbon, Paper, Sugar, Fire Fighting, Railways, Consumer Products, and other industries. Our strength lies in our ability to provide just-in-time delivery & continuous improvement.

Our conviction in long term relationship has a major contribution to our position in the industry today, Reassurance and inspiration from our customers even during unfavourable times has supported us battling all the hurdles in our journey.

We celebrate its success in our customer's success and this is what we take pride in.

## Our Prominent clients



# Pneumatic Actuator Operated Ball Valve



"Vision" Offers ISO 5211 Standard Pneumatic Actuator Operated Investment Casting WCB / CF8 / CF8M / Ball Valve In Three Piece / Two Piece Design, Engineered For Multiple On/Off Operations in The Down Steam.

Size Range : 1/2" to 14" Screwed / Flanged / Triclover / Socket weld



## Actuator

Type	Rack and Pinion Type
Actuation	Double Acting / Single Acting (Spring Return)
Mounting Std.	ISO 5211 An International Standard
Pneumatic Connections	NAMUR Standard

## Valve

Body	ASTM A216 Gr. WCB / ASTM A351 Gr. CF8 / CF8M
Ball	ASTM A351 Gr. CF8 / CF8M
Stem	Stainless Steel AISI 304 / AISI 316 / AISI 410
Gland	Stainless Steel AISI 304 / AISI 316 / M.S.
Seat Packing	PTFE (Gland Filled, Carbon Filled, Teflon - Optional in case of high Temperature)
End Connection	Screwed to - BSP / NPT / Socket Weld Ends to ANSI JB 16.11 Flanged to - ANSI B 16.5 Class 150/300 Table - D,E,F, (On Request) Triclover Ends - (On Request) Socket Weld - (On Request)

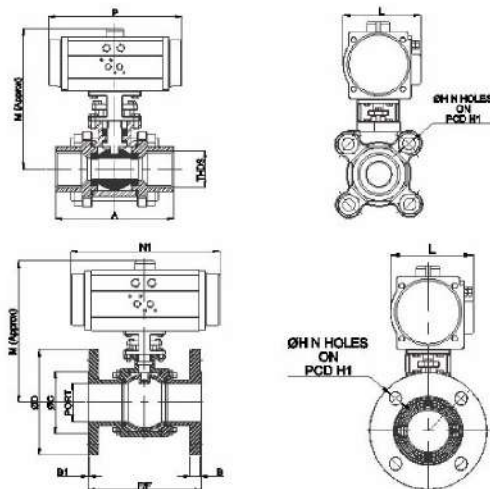
Item	Type of Test	Testing Pressure	Working Pressure	Operating Temperature (high Temp. On Request)
Actuator	Pneumatic Bubble Test	180 PSIG	45 to 150 PSIG	-20°C to 80°C
Valve Body Screwed End	Hydraulic	450 PSIG	315 PSIG	Max 180°C
Valve Body Flanged 150#	Hydraulic	450 PSIG	315 PSIG	Max 180°C
Valve Body Flanged 300#	Hydraulic	112 PSIG	815 PSIG	Max 180°C

## DIMENSIONS :

SIZE		A	THDS. BSP	ØH	H1	N	L	P	M	Approx Weight
MM	IN.									
15	1/2"	68	1/2"	8	42.5	4	65	140	160	1.160
20	3/4"	72	3/4"	8.5	53	4	65	140	160	1.620
25	1"	84	1"	9	59	4	73	170	180	1.920
40	1.1/2"	119	1.1/2"	11	87.5	4	73	170	190	4.070
50	2"	130	2"	10	103	4	85	216	216	4.970

SIZE		B	B1	C	D	PORT	H	H1	N	F/F	L	M	N1	Approx Weight
MM	IN.													
15	1/2"	10.5	1.5	35	89	12.5	15.5	60	4	108	65	180	140	2.250
20	3/4"	10.5	1.5	43	96.5	18	16	70	4	117	65	180	140	2.900
25	1"	12	1.5	51	108	25	16	79.5	4	127	73	180	170	4.050
40	1.1/2"	14	1.5	73	127	37	16	98.5	4	165	73	190	170	5.900
50	2"	16	1.5	92	152	50	19	120	4	178	85	210	216	9.200
65	2.1/2"	17.5	1.5	105	178	64	19	140	4	190.5	94	242	232	13.850
80	3"	21	1.5	127	190.5	75	19	152	4	203	105.5	260	271	21.450
100	4"	23.5	1.5	157	228.5	98	19	190	8	228	122	310	293	27.900

All Dimensions are in (mm.)



# Pneumatic Actuator Operated Butterfly Valve



"Vision" offers rubber lined Butterfly Valves for HVAC & utilities. These Valves are truly "Fit & Forget Valve, Which requires minimum maintenance. The body lines which also functions as the soft seat, comes in an integrally moulded version & offers bi-directional sealing against vacuum upto the pressure of PN 10 / PN 16

Size Range : 1/2" to 40"

## Actuator



Type	Rack and Pinion Type
Actuation	Double Acting / Single Acting (Spring Return)
Mounting Std.	ISO 5211 An International Standard
Pneumatic Connections	NAMUR Standard

## Valve

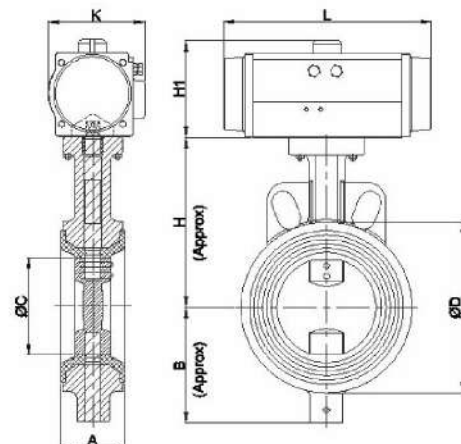
Body	I.C. / Cl (IS 210 Gr. FG 200 / 220) WCB / S.S. 304 / S.S. 316
Disc	CF8 / CF8M / CF3M / S.G. Iron / Teflon Coated / Powder Coated <sup>®</sup> Nylon Coated / Rubber Line
Seat	EPDM / Nitrile / Hayplon / Viton / Moulded or Replaceable muffer type
Shaft	AISI 410 / CF8 / CF8M / CF3M
Valve Type	Centric Disc Butterfly Valve with a single piece rubber lined body
Body Type	Short wafer (sandwiched between flanges)
Seat Type	Integrally moulded with the body
End Connection	Wafer Sandwiched (Lug Type On Request)
Pressure rating	PN 10 /PN 16 (On Request)
Oper. Temp. range	-25 °C to 130 °C (depending on MOC)
Seat Leakage	Tight shut off
Operation	Hand lever for sizes from 40 mm to 350 mm Worm gear boxes for 40 mm to 1 000 mm

Item	Type of Test	Testing Pressure	Operating Temperature (Normal)	Operating Temperature (High)
Actuator	Pneumatic Bubble Test	180 to 150 PSIG	-20°C to 80°C	High Temp. On request
Valve Body	Hydraulic	225 PSIG	Max. 80°C	High Temp. On request
Seat	Hydraulic	150 PSIG	Max. 80°C	High Temp. On request

## DIMENSIONS :

SIZE		A	B	ØC	ØD	H	L	H1	K	Approx Weight
MM	IN.									
40	1.1/2"	33	60	38	80	105	136.3	92	62	2.200
50	2"	43	60	48	90	116	168	101.5	72.5	3.000
65	2.1/2"	46	65	63	105	120	168	101.5	72.5	3.600
80	3"	46	75	76	122	130	168	101.5	72.5	4.200
100	4"	52	92	100	147	150	217	114	84.5	6.100
125	5"	56	105	125	175	155	232.5	127	93.5	8.200
150	6"	56	120	150	200	175	271	135	105	10.850
200	8"	60	150	201	255	205	293	152	122	16.600
250	10"	68	190	240	320	255	405	181	149	32.450
300	12"	78	225	290	375	285	487	322	226	35.450

All Dimensions are in (mm.)



# Pneumatic Actuator Operated High Performance Replaceable Seat Spherical Disc Butterfly Valve



"Vision" offers Spherical Disc Valve with compact & Easy Replaceable Seal Design for 10Kg/Cm<sup>2</sup> / 20Kg/Cm<sup>2</sup> & to with stand 180° C to 600° C Temperature



SIZE RANGE : 1 1/2" TO 12" (14" TO 24" ON REQUEST)

## APPLICATION

- Hygienic Powder & Slurries, especially in Pharmaceutical Industries.
- Chemicals and Dyeing Fluids in Textile Processing
- Brine Waters & Oils.
- Steam Lines, Air/Gas Lines.

## Actuator

Type	Rack and Pinion Type
Actuation	Double Acting / Single Acting (Spring Return)
Mounting Std.	ISO 5211 An International Standard
Pneumatic Connections	NAMUR Standard

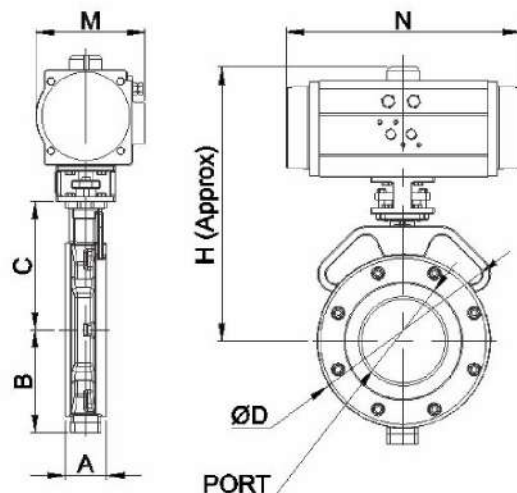
## Valve

Body	WCB/CF8/CF8m/Cast Iron
Disc	WCB/CF8/CF8m/Cast Iron
Seat	PTFE (available EPDM / Viton / Metal to Metal)
Plate Mounting	NAMUR Standard
Operation	Hand Lever Type, Worm Gear Box Type, Pneumatic Actuated, Electrical Actuated

## DIMENSIONS :

SIZE		A	B	C	H	PORT	ØD	N	M	Approx Weight
MM	IN.									
40	1.1/2"	42	58	86	220	38	82	169	73	3.100
50	2"	45	68	88	222	51	96	169	73	3.400
65	2.1/2"	48	70	100	234	60	112	169	73	4.100
80	3"	48	79	109	255	72	131	216	84	5.700
100	4"	54	95	131	277	100	160	216	84	7.300
125	5"	57	118	155	315	123	188	232	93	10.050
150	6"	57	132	170	342	144	219	272	105.5	13.200
200	8"	64	161	201	390	192	271	293	122	19.850

All Dimensions are in (mm.)



# Pneumatic Diaphragm Control Valves for 220°C & 450°C Temperature



## 2/2 & 3/2 Way Pneumatic Diaphragm Operated Control Valve

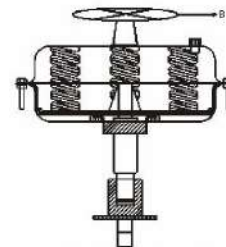
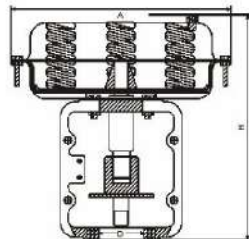
With the support of our dexterous team, we offer 2/2 & 3/2 Way Pneumatic Diaphragm Operated Control Valve. These valves are easy to use and can also be dismantled with ease. Genuine diaphragm material is used for manufacturing these valves in accurate sizes. Our valves can resist abrasion, corrosion and have a flexible closure.

### Features :

- ◆ Precise Regulating with High Flow Capacity
- ◆ Large type of trim Top Operating designs for various duty conditions
- ◆ Wide Range of actuators to meet different application
- ◆ In Line Repairable Design for easy maintenance
- ◆ Multy action type Actuator (Direct / Reverse acting)
- ◆ Tight closure even in extreme operating conditions

### Technical specification :

Actuator	Diaphragm & Multy Spring type. Air to open / Air to close as a standard. (Piston actuators / Electrical actuators on request)
Bonnet	Standard for ('CLD' Temperature up to 220°C) Extended with FINS for ('CHD' Temperature up to 450°C)
Internals	S.S. 304 [316 (Hard facing when required) Other materials on request]
Gland Packings	Teflon / Grafoil
Trim Desing	Contoured parabolic / Pressure balanced
Sizes	1/2" to 12"
Characteristic	Linear / Equal percentage / ON - OFF (Quick opening)
End Connection	Flanged end to end ANSI B16.5 CL 150 [300# / 600# available on request]
Pressure Ratings	ANSI B16.5 CL150/300/600
Leakage	ANSI B16.104 CL IV for metal to metal seating. (Class V & Class VI leak tightness with soft seating on request)



Manual and pneumatic clutch type actuator

Pneumatic Diaphragm Actuator

Type	Diaphragm area	Spring	Max stroke	Air pressure (Kg.)
DA - CHD-1	Direct	4"8	15"20	1.5
	Reverse			0
DA - CHD-2	Direct	4"8	25"30	1.5
	Reverse			0
DA - CHD-3	Direct	3"6	34"45	1.5
	Reverse			0
DA - CHD-4	Direct	4"8	55"70	1.5
	Reverse			0
DA - CHD-5	Direct	4"8	90"110	1.5
	Reverse			0

Parameter Actuator

Type	Size (mm)				Valve Size
	D	H	A	B	
DA-CLD - 01	60	305	288	-	DL15-DL25
DA-CLD - 02	60	325	288	-	DL32-DL50
DA-CLD - 03	60	440	360	-	DL65-DL100
DA-CLD - 04	95	545	470	-	DL125-DL200
DA-CLD - 05	100	745	560	-	DL250-DL300
Mo-DA-CLD - 02	60	-	288	250	DL15-DL25
Mo-DA-CLD - 03	60	-	288	250	DL32-DL50
Mo-DA-CLD - 04	95	-	360	350	DL65-DL100



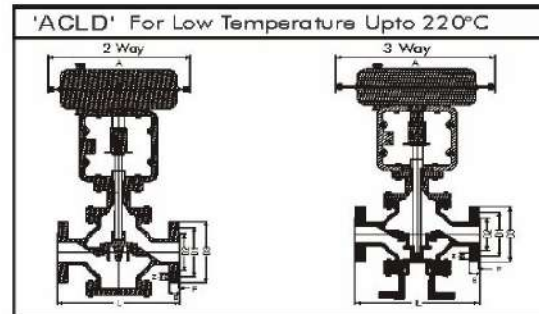
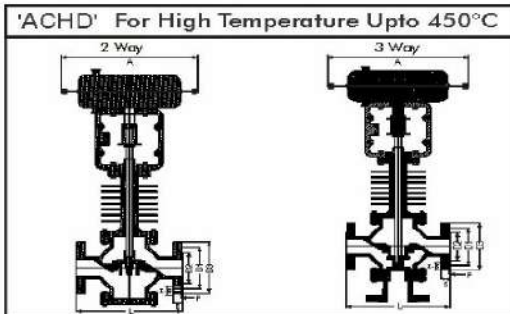
### 2/2 & 3/2 Way Pneumatic Diaphragm Operated Control Valve

**Model** :ACHD  
**Actuator** :Spring return type, Heavy duty Pneumatic Diaphragm  
**Type** :Normally Close / Open  
**Size Range** :1/2" to 12"  
**Body** :WCB  
**Diaphragm Cover** :M.S. (Sheet Metal)  
**Working Press** :150#  
**Working Temp.** :450°C  
**Seating** :Metal to Metal & Soft Seated  
**Application** :Air, Water, Oil, Gas, Steam & Hydraulic Oil



### 2/2 & 3/2 Way Pneumatic Diaphragm Operated Control Valve

**Model** :ACLD  
**Actuator** :Spring return type, Heavy duty Pneumatic Diaphragm  
**Type** :Normally Close / Open  
**Size Range** :1/2" to 12"  
**Body** :WCB  
**Diaphragm Cover** :M.S. (Sheet Metal)  
**Working Press** :150#  
**Working Temp.** :220°C  
**Seating** :Metal to Metal & Soft Seated  
**Application** :Air, Water, Oil, Gas, Steam & Hydraulic Oil



SIZE	A
1/2"	285
3/4"	285
1"	285
1.1/4"	285
1.1/2"	285
2"	363
2.1/2"	363
3"	472
4"	472
6"	472
8"	472
10"	585
12"	585

Class 150#							
L	D3	D1	D2	b	f	Z-B	
179	89	60.5	35	11.5	1.6	4-16	
180	96	70	43	12.7	1.6	4-16	
185	100	79.25	51	14.3	1.6?	4-16	
200	117.3	89	64	16.9	1.6	4-16	
220	127	98.5	73	17.5	1.6	4-16	
252	152	129.5	92	19.1	1.6	4-16	
275	178	139.5	105	22.3	1.6	4-16	
299	190	152.5	127	23.9	1.6	4-16	
350	229	190.5	157	23.9	1.6	8-16	
450	279	241	216	25.4	1.6	8-22	
552	342	298.5	270	28.6	1.6	8-22	
675	406	362	324	30.2	1.6	12-25	
735	483	432	381	31.8	1.6	12-25	

#### Technical Sheet of Pneumatic Diaphragm Actuator

Type	Air supply pressure	Spring pressure		Applicable Pressure drop (kg/cm <sup>2</sup> ) <sup>*</sup>										
				DL(mm)										
				25	32	40	50	65	80	100	125	150	200	
DA/CHD-01 Reverse	1.5	0.2~1	Yes or No	6.3	3.8	2.7	1.6	1	0.7	0.5	-	-	-	-
				40	27	14.1	11.1	6.9	4.9	2.8	-	-	-	
DA/CHD-02 Reverse	2.9	0.8~2.4	Yes	11.2	6.8	4.8	2.8	1.7	1.2	0.7	0.4	0.3	-	
				40	40	34	19.6	12.3	8.7	4.9	3.1	1.9	-	
DA/CHD-03 Reverse	1.5	0.2~1	Yes or No	-	-	8.4	4.8	3	2.2	1.2	0.7	0.5	0.3	
				-	-	40	31.5	21.3	15	8.5	5.4	3.3	2.1	
DA/CHD-04 Reverse	2.9	0.8~2.4	Yes	-	-	-	-	4.2	2.9	1.7	1.1	0.6	0.4	
				-	-	-	-	29.2	20.6	11.6	7.4	4.5	2.9	
DA/CHD-05 Reverse	1.5	0.2~1	Yes or No	-	-	-	-	40	40	24.2	-	-	-	
				-	-	-	-	-	-	24.2	15.5	9.5	-	
DA/CHD-01 Direct	1.5	0.2~1	Yes or No	6.3	3.8	2.7	1.6	1	0.7	0.5	-	-	-	
				31.6	19.3	13.7	7.8	5.1	3.5	2	-	-	-	
DA/CHD-02 Direct	1.7	0.2~1	Yes	40	40	40	21.7	14.9	10.5	5.9	-	-	-	
				40	40	40	40	26.5	18.7	10.5	6.7	4.1	-	
DA/CHD-03 Direct	4	0.8~2.4	Yes	-	-	8.3	4.8	3	2.2	1.2	0.7	0.5	0.3	
				-	-	40	24.2	15.2	10.7	6	3.9	2.4	1.5	
DA/CHD-04 Direct	1.5	0.2~1	Yes or No	-	-	-	-	4.2	2.9	1.6	1.1	0.6	0.4	
				-	-	-	-	20.8	14.7	8.3	5.3	3.2	2.1	
Flow Rating (KV)				10	16	25	40	63	100	160	250	400	630	

# Angle type Control Valves



“vision” offers 2/2 Way Pneumatic Actuator Operated Control Valve.



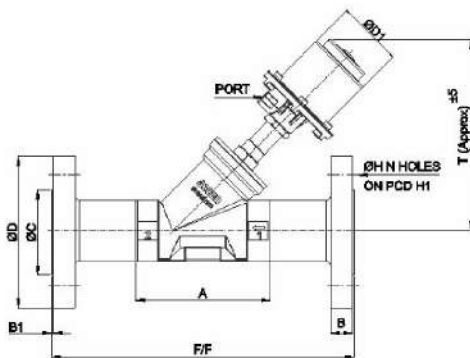
### Actuator

Body	S/S 304 Pressed
Cover Flange	ASTMA351 Gr.CF8 (S/S 304) Investment Die-Cast
Spring	Spring Steel (IS 4454 Gr. III)
Port Connection	1/4" BSP (NPT on request)
Operating Pressure	3.5 to 7 Bar
Position Indicator	Nylon
Operating Cycles	350 to 650 Cycles /Hr
Media	Dry Lubricated Air/Inert Gases Asten Moisture Separators are advised to use in line



### Valve

Size	1/2" to 3" Screwed / Flanged
Body	ASTM A351 Gr.CF8 / CF8M /CF3M
Stem Packing	PTFE upto 180°C, Self-compensating (spring loaded)
Trim / Spindle	Stainless Steel 304/316/316L
Seat	Soft Seat (PTFE)
Gland Packing	Teflon 'V' seals, backed by graphite wiper seal (Self compensating)
Body Test Pressure	24 Bar Maximum
End Connections	Female Screwed to BSP or NPT / Flanged / Triclover
Working Fluid Press	Refer to table
Leakage	Drop tight / bubble tight, class IV ANSI B 16, 104, 1976
Operating Temp.	On steam - Continuous 155°C, Intermittent 160° C maximum (high Temp. above 180°C - On Request)



### Dimensions :

SIZE		A	ACT. BORE	ØD1	F/F FLANGE	ØC	ØD	B	B1	H	H1	N	T FLANGE	PORT	Approx Weight SCREW	Approx Weight FLANGE
15	1/2"	68	70	73	130	38	90	9.5	1.5	16	60	4	155	1/4" BSP	1,450	2,100
20	3/4"	78	70	73	150	43	98.5	10.5	1.5	16	70	4	160	1/4" BSP	1,450	2,300
25	1"	88	70	73	160	51	108	11	1.5	16	79.5	4	170	1/4" BSP	1,600	2,600
40	1.1/2"	125	70	73	189	73	125	11.5	1.5	16	98.5	4	191	1/4" BSP	2,350	3,950
50	2"	151	70	73	230	82	152	15.5	1.5	19	120	4	218	1/4" BSP	3,200	6,800
65	2.1/2"	195.5	120	124.5	216	104.8	178	15.9	1.5	19	139.7	4	230	1/4" BSP	-	-
80	3"	197	120	124.5	241.5	127	199	19	1.5	19	152.4	4	250	1/4" BSP	-	-

All Dimensions are in (mm.)

### Technical Specification Table

Model	Valve Size	Orifice MM	Inlet Position	Max.Op. Press Low to Close Bar	Max.Op. Press Low to Open Bar	Flow Factor M3/hr	Air Consumption Lt./Cycle
AYCV - 15	1/2"	16	N/C	16	16	4.2	0.155
AYCV - 15		16	N/O	16	16	4.2	0.155
AYCV - 20	3/4"	16	N/C	16	16	5.5	0.155
AYCV - 20		16	N/O	16	16	5.5	0.155
AYCV - 25	1"	23	N/C	16	16	13.5	0.161
AYCV - 25		23	N/O	16	16	13.5	0.161
AYCV - 40	1.1/2"	34	N/C	15	15	31.9	0.172
AYCV - 40		34	N/O	10	10	31.9	0.172
AYCV - 50	2"	45	N/C	14	16	54.5	0.184
AYCV - 50		45	N/O	16	12	54.5	0.184
AYCV - 65	2.1/2"	62	N/C	14	16	54.5	0.184
AYCV - 65		62	N/O	16	12	54.5	0.184
AYCV - 80	3"	75	N/C	10	10	105	0.735
AYCV - 80		75	N/O	10	10	1	0.735

### Position in Normally Close Valve



### Position in Normally Open Valve





## 3 Way Control Valves



“vision” offers 3/2 Way Pneumatic Actuator Operated 42 Kg Control Valve.



### Actuator

Body	S/S 304 Pressed
Cover Flange	ASTMA351 Gr.CF8 (S/S 304) Investment Die-Cast
Spring	Spring Steel (IS 4454 Gr. III)
Port Connection	1/4" BSP (NPT on request)
Operating Pressure	3.5 to 7 Bar
Position Indicator	Nylon
Operating Cycles	350 to 650 Cycles /Hr
Media	Dry Lubricated Air/Inert Gases Aston Moisture Separators are advised to use In line

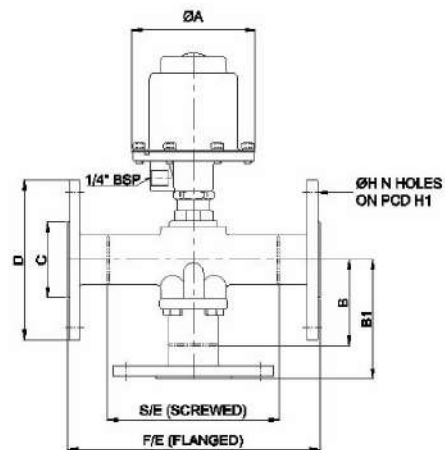


### Valve

Size	1/2" to 2" Screwed / Flanged
Body	ASTM A351 Gr.CF8 / CF8M /CF3M
Stem Packing	PTFE upto 180°C, Self-compensating (spring loaded)
Trim / Spindle	Stainless Steel 304/316/316L
Seat	Soft Seat (PTFE)
Gland Packing	Teflon 'V' seals, backed by graphite wiper seal (Self compensating)
Body Test Pressure	42 Bar Maximum
End Connections	Female Screwed to BSP or NPT / Flanged ASA150#
Leakage	Drop tight / bubble tight, class IV ANSI B 16, 104, 1976
Operating Temp.	On steam - Continuous 155°C, Intermittent 180° C maximum (high Temp. above 180°C - On Request)

SIZE		ØA	B	B1	C	D	H	H1	N	S/E	F/E	Approx Weight	
MM	IN.											S/E	F/E
15	1/2"	102	50	83	35	89	18	80	4	85	151	1.760	3.000
20	3/4"	102	66	130.5	43	98.5	18	70	4	110	185	2.220	3.580
25	1"	102	72	106.5	51	108	18	79.5	4	120	189	3.000	4.900
40	1.1/2"	134	91	132	73	127	18	98.5	4	150	232	7.320	10.240
50	2"	134	100	146.5	92	152	19	120	4	190	283	10.440	14.560

ALL DIMENSIONS ARE IN MM



# 2/2 Way Pilot Operated Diaphragm Type "ASD" Solenoid Valve For Air/Water/Gas/Oil/Chemical



"Vision" offers HIGH FLOW Diaphragm type solenoid valves, are specially engineered in the construction of Investment Cast CF8 / CF8M / CF3M body with Electro plating for multiple and long lasting operations.

**Types :** 1. Normally close - Energized to Open 2. Normally Open - Energized to Close

**Application :** Air, Water, Light Oil, Gas, Light Chemical

**Size Range :** 1/2 To 4 Screwed / Flanged

"Vision" solenoid valves are the best for the inflammable media / environment.  
The Flameproof / Explosion proof solenoid coils are available in such application.

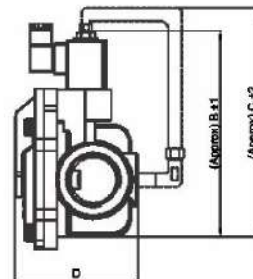
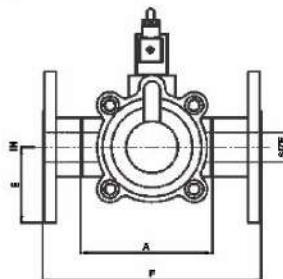


## Technical Specifications

Body & Cover	ASTMA351 Gr. CF8 / CF8M / CF3M
Seals / Diaphragm	Nitrile / Neoprene (optional - silicon, viton& other)
Pressure Range	0.5 to 10 bar
Temperature Range	-5° C to 85° C (On Request upto 95° C)
Coil Voltage	12V, 24V, 48V, 110V, 230V, AC/DC
Coil Insulation	'F' Class
Coil Rating	Continuous Rated

## Applications :

Textile Processing Machinery, Chemical Plants, Water Treatment, Sugar Machinery, Cement Machinery, Pumps, Irrigation, Combustion Equipment, Heat Exchanger, Air Dryer, Pollution Controls, Laundry Equipments and where dependable ON/OFF type control is required.



## Dimensions :

Valve Model	Size		Flow Factor Kv m <sup>3</sup> /hr	A, Screwed	B (Approx )	C (Approx )	D	E	F Flanged	Weight (Approx)	
	MM	Inch								S/E	F/E
ISO -6	6	1/4	2.5	65	128	170	56	-	130	-	-
ISO -10	10	3/8	2.5	65	128	170	56	-	130	0.800	-
ISO -15	15	1/2	3.5	65	128	170	56	44.5	130	0.760	-
ISO -20	20	3/4	5.0	890	136	180	74	49.5	150	1.100	1.880
ISO -25	25	1	11.0	95	152	200	80	54	160	1.500	2.720
ISO -32	32	1 1/4	13.0	118	167	212	105	58.5	200	2.340	-
ISO -40	40	1 1/2	20.0	118	167	212	105	63.5	200	3.580	6.160
ISO -50	50	2	38.0	137	190	234	120	76.5	230	3.940	-
ISO -65	65	2 1/2	67.6	172	230	298	143	89	290	6.340	-
ISO -80	80	3	97.6	195	250	318	156	95	310	13.680	-
ISO -100	100	4	-	-	250	318	156	114	350	-	-
ISO -150	150	6	-	-	-	-	-	-	-	-	-



## 2/2 Way Dust Collector Solenoid Valve Pulse Valve Angle Type



"Vision" offers high performance diaphragm operated pulse and pilot solenoid valves with threaded ports. Available with integral pilot or as remotely pilot valves. Out let at 90° to inlet. The pulse valves have just one moving part, the diaphragm Springless construction of diaphragm providing fast ON-OFF operation. This high speed operation saves compressed air and provides kind of shock wave necessary to free the dust from filter bags.

### Suitable for:

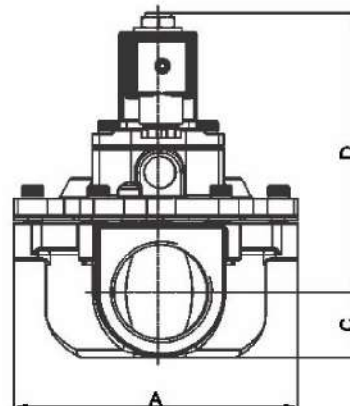
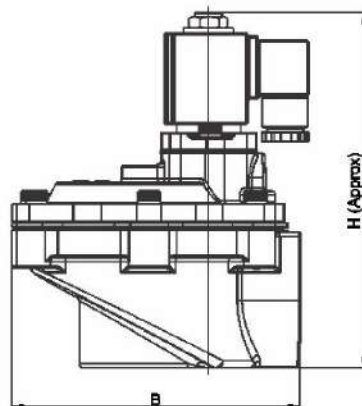
Dust collector application, in particular for reverse pulse jet filter cleaning including bag filters, cartridge filters, envelope filters, ceramic filters and sintered metal fiber filters.

**Size Range : 1/2" To 3" Screwed**

### Technical Specifications



Body and Bonnet Construction	Aluminium Pressure Die Cast
Diaphragm	Nitrile or Neoprene (Reinforced) P.U
Temperature	Rated for 80 °C max. For high temperature upto 125 °C Viton diaphragm with viton seat can be provided
Pressure Rating	0.6 bar to 8.5 bar max.
IP 20 (IS 2147) Solenoid Coil	General Purpose
IP 65 (IS 2147) Solenoid Coil	For Waterproof application
Group I, IIA, HB & IIC (IS 2148) Solenoid Coil	For Explosion / Flame - Proof application
Coil Rating	Continuous Rated
Voltage	24, 48, 110, 220 Volts AC, 50 Hz. 12, 24, 48, 110, 220 Volts DC



### Dimensions :

SIZE		A	B	D	H	C	Approx Weight
MM	IN.						
25	1"	75	88	106	128	22	0.600
40	1.1/2"	115	130	137.5	168	30.5	1.300

All Dimensions are in (mm.)



### Specifications

Size	50NB – 600NB Above 600NB Consult Factory
Pressure	150PSI.
Temperature	0 Deg C - 1200 Deg C.
Body , Chest	Solid One piece casting of Cast Iron Fg 260 Cast Steel Gr WCB ,CF8,CF8M.
Seat	Integral to Body, Soft, Optional.
Gate	AISI SS 304,316,316L,317,317L .
Screw Spindle	AISI SS 410,304,316.
Nut	Brass.
Yoke	Plate type of MS .
Gland Follower	Cast Iron , Cast steel , Ductile Iron ,CF8,CF8M.
Hand Wheel	Cast Iron , Cast steel , Ductile Iron
Gland Packing	PTFE , PTFE Impregnated .
Ends	Lugged.
Port	STANDARD [Round] Optional V Port, Diamond Port,.

### MATERIAL OF CONSTRUCTION [ OPTIONAL ]

BODY	GATE	SPINDLE	GLAND
1. CF8	AISI SS304	AISI SS304	CF8
2. CF8M	AISI SS316	AISI SS316	CF8M
3. HAST 'C'	HAST 'C'	AISI SS316	CF8M

### Material Specification and Grades

Cast Iron	IS 210 Gr Fg260
Cast Carbon Steel	ASTM A216
Stainless Steel	ASTM A351 Gr CF8, ASTM A351 Gr CF8M
HAST C	Hast Alloy Gr C.

## TEST SPECIFICATION

**Body Shell Test** As per MSS SP – 81 Norms 10Kg/Cm<sup>2</sup>  
Working pressure 6Kg/Cm<sup>2</sup>

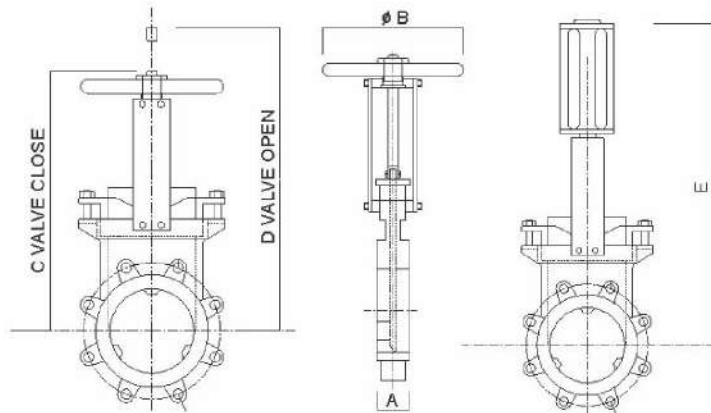
**Seat Leakage Test** Metal Seated Valves as per MSS SP 81 Norms & Tappi 405.  
Soft Seated Valves Zero Leakage

### DIMENSIONS IN (MM)

600 NB	114	508	1340	1960	3100
500 NB	114	508	1145	1645	2580
450 NB	114	508	1095	1545	2100
400 NB	89	508	1030	1380	1960
350 NB	76	508	885	1235	1780
300 NB	76	406	770	1070	1600
250 NB	70	406	710	960	1300
200 NB	70	305	665	915	1250
150 NB	57	254	580	730	1075
125 NB	57	254	505	630	925
100 NB	51	203	330	430	730
80 NB	51	203	290	370	615
65 NB	51	203	263	228	513
50 NB	48	203	220	275	425

SIZE	A	ØB	C	D	D
------	---	----	---	---	---

Dimensions given above are indicative, please request for certified drawings for piping layout.

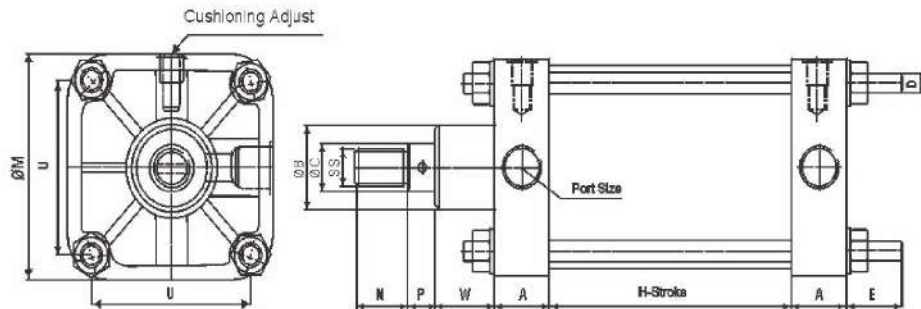


# Heavy Duty Pneumatics Cylinder



### Technical Specification

<b>Bore Size</b>	25mm to 65mm	75mm to 450mm
<b>Barrel</b>	Aluminum	Stainless Steel
<b>Stroke</b>	up to 2500 mm	
<b>Piston Rod</b>	En8 with hard chrome plated (25 microns around the shaft)	
<b>Piston Rod Dia</b>	25mm 25mm 32mm 32mm 38mm 51mm 51mm 56mm 70mm	
<b>Cushioning</b>	Available at both ends	
<b>Top / End Cover</b>	Cast Iron	
<b>Seals</b>	Nitrile (Vition seal available on request for high temperature)	
<b>Surface Treatment</b>	Auto finish enameling end cover & cylinder barrel	
<b>Mounting</b>	Std. Mounting available (for more detail see dimension)	



### Basic Cylinder Dimension Dimensions :

(All Dimensions are in mm)

BORE	H	A	W	P	N	E	U	ØM	ØB	ØC	S.S	D	K*	PORT SIZE
25mm	28	17	17	9	15	16	25	40	25	10	M 8 x 1.25 P	M 5	24	G 1/8"
40mm	43	20	19	11	20	19	38	57	35	16	M 12 x 1.75 P	M 6	63	G 1/4"
50mm	43	20	19	11	20	19	46	67	35	16	M 12 x 1.75 P	M 6	98	G 1/4"
65mm	51	25	23	17	24	24	60	82	45	20	M 16 x 1.50 P	M 8	165	G 1/4"
75mm	47	32	35	16	30	29	70	94	45	25	M 20 x 2.50 P	M 10	220	G 1/2"
100mm	47	32	35	16	30	29	88	116	45	25	M 20 x 2.50 P	M 10	360	G 1/2"
125mm	57	32	44	19	36	35	110	144	54	32	M 24 x 3.00 P	M 12	613	G 1/2"
150mm	57	32	44	19	36	35	126	167	54	32	M 24 x 3.00 P	M 12	880	G 1/2"
200mm	70	45	50	20	45	50	175	230	70	38	M 30 x 3.50 P	M 16	1570	G 3/4"
250mm	100	50	55	26	57	60	210	277	90	51	M 42 x 4.50 P	M 20	2450	G 1"
300mm	100	50	55	26	57	60	250	335	90	51	M 42 x 4.50 P	M 20	3770	G 1"
350mm	90	50	75	25	65	60	290	385	110	56	M 42 x 4.50 P	M 24	4800	G 1"
400mm	90	50	75	25	65	60	325	435	110	56	M 42 x 4.50 P	M 24	6280	G 1"
450mm	90	53	75	25	65	60	357	485	120	70	M 56 x 5.00 P	M 24	7950	G 1"

K\* = Push Force at 5 kg/cm<sup>2</sup> Pressure

Solenoid Valves



Hand Operated Valves



Mountings



Air Source Treatment Units



Power Cylinder - Proportionate



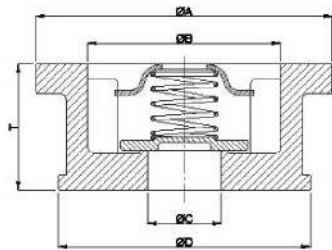
# Disc Check Valve (DCV)



Size Range Upto : 15 MM To 200 MM Wafer Type

**Technical Specifications :**

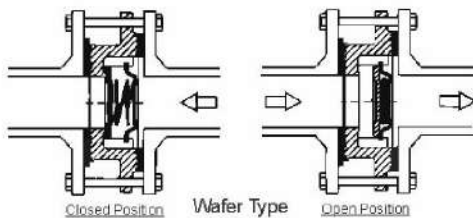
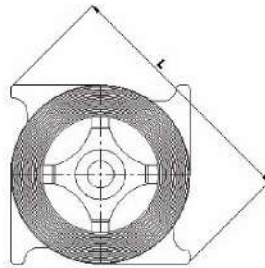
Body Construction	ASTM A 351 Gr. CF8 / CF8M
Disc	AISI 304 or AISI 316 (Bar Stock)
Spring	AISI 304 or AISI 316 (Standard)
Spring Retainer	AISI 304 or AISI 316
Disc Seat	Metal to Metal
Pressure Rating	PN 40.
Flange Standard	1. BS 10 Tabel D, E & H (85NB & 80 NB will not be fitted between 'E' flanges) 2. DIN : Pn6, 10, 16, 25, 40. 3. JIS 5, 10, 16, 20 (40NB, 50NB, 80NB & 100 NB will not be fitted between JIS 5 flanges)



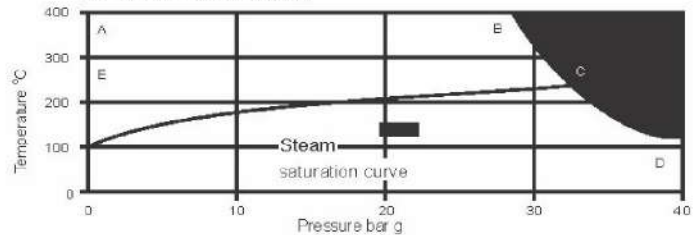
**DIMENSION**

SIZE		A	B	C	D	T	L	Approx Weight
MM	IN.							
15	1/2"	43	29	15	38	16	60	0.400
20	3/4"	53	36	20	45	19	70	0.640
25	1"	63	44	25	58	22	80	0.954
32	1.1/4"	73	55	32	65	28	90	1.425
40	1.1/2"	83	66	40	74	31	98	1.972
50	2"	93	77	50	85	40	112	2.668
65	2.1/2"	114	98	65	107	46	141	4.130
80	3"	132	111	80	122	50	151	5.802
100	4"	153	130	100	142	60	181	8.425
125	5"	185	161	125	170	90	215	-
150	6"	212	190	150	202	105	255	-
200	8"	277	250	200	261	140	320	-

All Dimensions are in (mm.)



**OPERATING RANGE**



The product must not be used in the region.  
A- B- C - D = DCV without spring or with high temperature spring.  
E - C - D = DCV with Standard Spring.

DN	15 MM	20 MM	25 MM	40 MM	50 MM	65 MM	80 MM	100 MM	125 MM	150 MM	200 MM
↑	25	25	25	28	29	30	31	33		On Request	
→	22.5	22.5	22.5	24.5	24.5	25.5	25.5	26.5		On Request	
↓	20	20	20	20	20	20	20	20		On Request	

(→ Indicates Flow Direction)  
The Valves can be installed, without spring in vertical pipe, line with bottom to top flow, Where lowest opening pressures are required.  
without spring:

DN	15 MM	20 MM	25 MM	40 MM	50 MM	65 MM	80 MM	100 MM	125 MM	150 MM	200 MM
↑	2.5	2.5	2.5	3.5	4	4.5	5.5	6.5		On Request	

(→ Indicates Flow Direction)

# Roto Seal Coupling



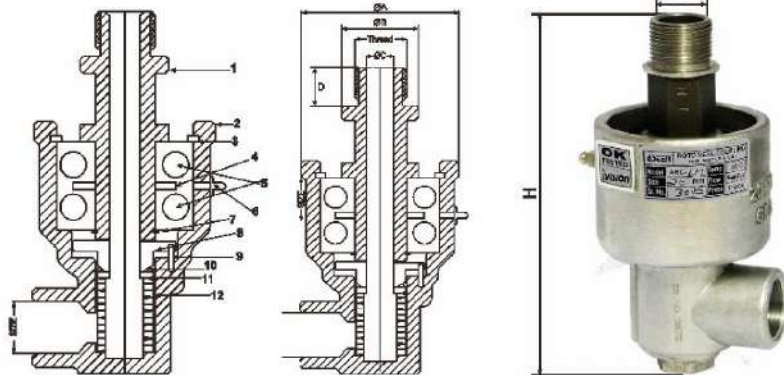
### Valve

Body	SS 304 / SS 316 Investment Cast Body & Shaft
Size	1/4" to 2" BSP
Seal	High Performance Seals with fine lapping
Connection	Dual Connection Available
Application	Different types of mode as per application Normal, High Temperature & Chilled Water

### Specification

Body	CF8 / CF8M
Shaft	CF8 / CF8M
Temp. Range	50°C (Chilled water & high temperature available on request)
Seals	High performance carbon filled PTFE
Pressure Range	Upto 10 Kg/cm <sup>2</sup>
RPM	300 Maximum
Media	Air, Water, Oil & Gas (Normal Application)

No.	Part Name
1	Shaft
2	Body
3	Bearing Lock For Body
4	Middle Washer For Bearing
5	Bearings
6	Greas Cap
7	Bearing Lock For Shaft
8	Carbonfilled / PTFE
9	Stopper Pin
10	'O' Ring
11	Washer
12	Spring



## Roto Seal Coupling (Right / Left Handed Thread)

<b>Size</b>	: 1/4" to 2" BSP / NPT
<b>Body</b>	: S.S. 304, 316
<b>Shaft</b>	: S.S. 304, 316
<b>Pressure</b>	: Upto 10 Kg/cm <sup>2</sup>
<b>Media</b>	: Air, Water, Oil & Gas Chilled Water available on request

### DIMENSION

[All Dimensions are In mm]

Size	ØA	ØB	ØC	D	H	Thread Type	Dual Flow Connector
1/4" BSP	48	22	6.5	13	101	RH/LH	1/8"
3/8" BSP	55	26	9.5	13	107	RH/LH	1/4"
1/2" BSP	65	34	15	15	135	RH/LH	3/8"
3/4" BSP	70	40	18	18	142	RH/LH	1/2"
1" BSP	85	45	25	25	165	RH/LH	3/4"
1.1/4" BSP	98	50	33	25	205	RH/LH	1"
1.1/2" BSP	98	50	35	25	207	RH/LH	1"
2" BSP	120	71	48	30	292	RH/LH	1.1/2"



# Pressure Reducing Valve (PRV)

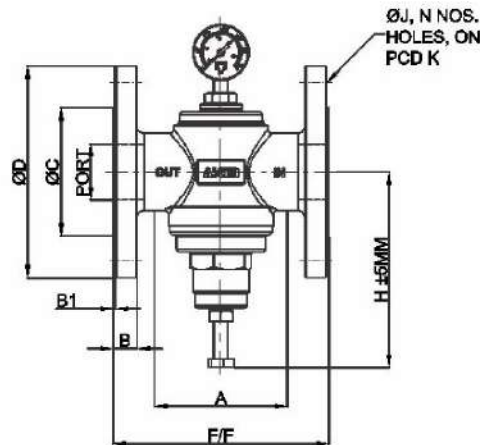


### Valve

BODY	ASTM A351 Gr. CF 8 / CF 8M / CF 8M3
SEAT	BUNA-N (WATER) / PTFE (STEAM)
DIAPHRAGM	BUNA-N (WATER) / PTFE (STEAM)
'O' RING	BUNA-N
SPRING	SS
ADJUSTING STEM	SS 304
END	SCREWED / FLANGED

### Specification

PRESSURE TEMPERATURE	80° (FOR WATER) 200° (FOR STEAM)
WORKING PRESSURE	21kg / cm <sup>2</sup> in
PRESSURE ADJUSTING RANGE	1-6 kg / cm <sup>2</sup> , 4-10 kg / cm <sup>2</sup> , 8-13kg / cm <sup>2</sup> 12-20 kg / cm <sup>2</sup> , 20-35 kg / cm <sup>2</sup>



### DIMENSION

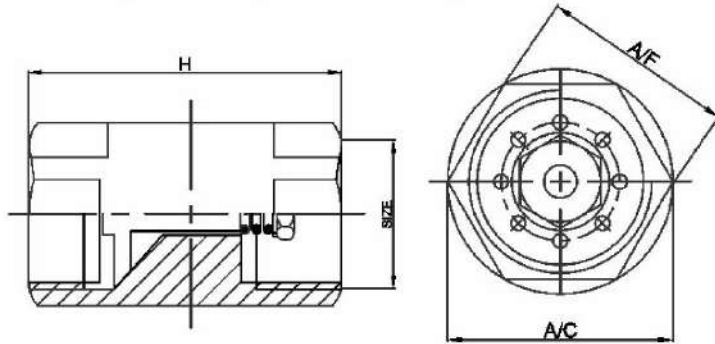
SIZE		A S/E	B	B1	C	D	H	J	N	K	F/F	PORT	Approx Weight	
MM	IN.												S/E	F/E
15	1/2"	68	10	1.5	35	89	82	15.9	4	60.3	146	12.5	0.930	1.710
20	3/4"	72	10.9	1.5	43	98.5	89	15.9	4	69.9	152	17	1.120	2.130
25	1"	84	11.6	1.5	51	108	90	15.9	4	79.4	127	24	1.110	2.450
40	1.1/2"	119	14.7	1.5	73	127	90	15.9	4	98.4	197	37	1.450	3.210
50	2"	130	16.3	1.5	92	152	112	19.05	4	120.7	210	49	2.520	4.730
65	2.1/2"	155	17.9	1.5	105	178	115	19.05	4	139.7	214	64	2.610	6.540
80	3"	175	19.5	1.5	127	190.5	179	19.05	4	152.4	229	80	7.840	13.420
100	4"	210	24.3	1.5	157	228.5	222	19.05	8	190.5	260	100	8.560	14.570

ALL DIMENSIONS ARE IN MM

# Non Return Valve High Pressure Universal Mounting Design



Size Range : 1/2" to 2" [Female BSP / NPT ]



## Technical Specifications

Body	CF8 / CF8M
Valve Pin	S.S. 304/S.S. 316
Spring	S.S. 304
'O' Ring	Viton
Ends	Screwed
Size	1/2" to 2"
Leakage test	Bubble tight
Pressure	3000 PSI
Temperature	100 °C (High Temperature available)
Media	Air, Water, Oil & Gas

## Dimensions :

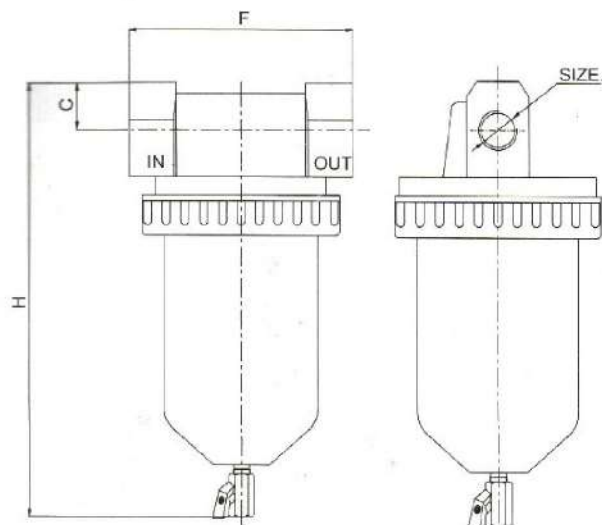
SIZE		H	A/F	A/C	Approx Weight
MM	IN.				
15	1/2"	59	27	30	0.190
20	3/4"	63.5	33.5	37	0.350
25	1"	70	41	45	0.510
32	1.1/4"	73	48	51	0.610
40	1.1/2"	80	58	64	1.130
50	2"	95	68	72	1.510

(All dimensions are in MM)

## Oil Removal Filter



Size Range : 1/2" to 1"



## Technical Specifications

Size	15mm, 20mm & 25mm
Efficiency	99.99%
Installation	At End Use After Filter
Pressure	10 kg/cm <sup>2</sup>
Pressure Drop	1 PSI
Temperature	50°C
Precaution	Filter must be preceded by Pre-Filter of 5 to 25 micron for long services life

# MOISTURE SEPARATORS



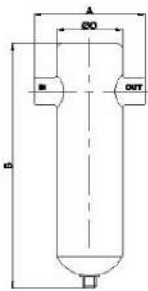
Size Range : 1/4 To 6 Screwed / Flanged / Triclover



## How Machines are damaged by Moisturized Air

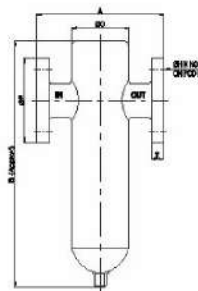
Compressed Air is vulnerable to Various types of contamination which greatly reduce its value as a power source and which can have a profound effect on the machinery that it operates. Moisture is most common contaminant present, and the one which probably causes the most damage. There is approximately about 35gms of water in one cubic meter of atmospheric air. A cubic meter of air weighs approximately 1kg (1000gms). This means 3.5% of air may be moisture, it is harmful in compressed air Pipelines. Over 80% of this nuisance.

Comprises of particles less than 2 microns in size and these easily pass through a typical compressor intake filter. This moisture must be removed from the compressed air line at best it corrodes, erodes pipeline and equipment, damages coatings, contaminates lubricants, washes it from pneumatic loops etc. now 1NM<sup>3</sup> of air will hold only 35 gms of water at ambient temperature. The system will release the liquid water, oil etc. Beyond 35gms i.e. 245gms per IVF of air. The liquid will be in fog/aerosol form and be carried into the pipe work Down-stream. The wet air will generate large quantity of rust and scale. Hence moisture is the most un-welcome product in compressed air system.



### SCREWED END

SIZE	SCFM	A	B	ØO	Approx Weight
1/2" BSP	75	117	235	88	2.550
3/4" BSP	80	120	275	88	2.300
1" BSP	125	120	305	88	2.700
1.1/2" BSP	280	152	405	115	6.500
2" BSP	400	178	440	138	7.700



### FLANGED END

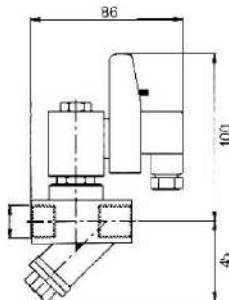
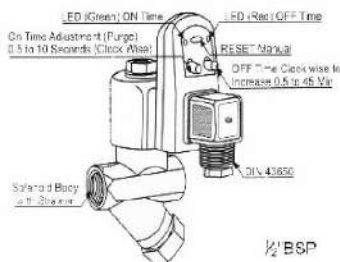
SIZE	SCFM	A	B	ØO	ØF	ØH	N	K	T	Approx Weight
1" BSP	125	135	300	91	114	12.7	4	82.5	9.52	4.160
1.1/2" BSP	280	168	420	115	128	16.5	4	98.5	12	9.340
2" BSP	400	204	480	138	152	19	4	120	15	14.810
3" BSP	900	288	580	230	184	19	4	146	15.9	26.700
4" BSP	1500	345	685	250	216	19	4	117.8	15.9	41.000

## Auto Drain Valve



### General Description

The model ADT-A/ADT-F (Auto Drain Valve) automatically drains water from compressed air systems. Applications include air dryers, separator, coalescing filters and drop legs. The proper size and quality fittings should be used with ample inside diameters as not to restrict the flow to the ADT-A. Adjustment of the timer ON time and OFF cycle time allows for optimal system drainage.



### Technical Specifications

Valve Body	CF8
Connection	1/2" BSP
Coil Voltage 230V	110, 24, 12V, AC/DC Available on Request
Pressure	Upto 10kg/cm <sup>2</sup>
Temperature	85° C
Time on	0.5 to 10 Sec.
Time Off	0.5 to 45 minute
Manualoverride	Reset

# Handle Operated Ball Valve



"Vision" Offers Handle Operated Investment Casting WCB / CF8 / CF8M / Ball Valve In Three Piece / Two Piece Design, Engineered For Multiple On/Off Operations in The Down Steam.

Size Range : 1/2" to 14" Screwed / Flanged / Triclover / Socket weld



### Valve

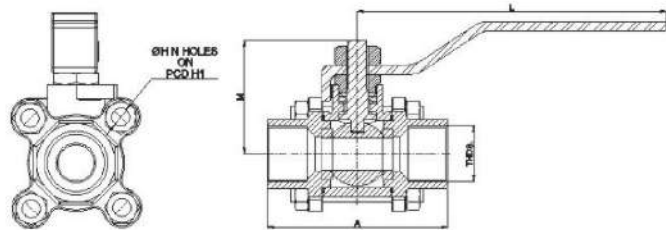
Body	ASTM A216 Gr. WCB / ASTM A351 Gr. CF8 / CF8M
Ball	ASTM A351 Gr. CF8 / CF8M
Stem	Stainless Steel AISI 304 / AISI 316 / AISI 410
Gland	Stainless Steel AISI 304 / AISI 316 / M.S.
Seat Packing	PTFE (Gland Filled, Carbon Filled, Teflon - Optional in case of high Temperature)
End Connection	Screwed to - BSP / NPT / Socket Weld Ends to ANSI B 16.11 Flanged to - ANSI B 16.5 Class 150/300 Table - D,E,F, (On Request) Triclover Ends - (On Request) Socket Weld - (On Request)

Item	Type of Test	Testing Pressure	Working Pressure	Operating Temperature (high Temp. On Request)
Valve Body Screwed End	Hydraulic	450 PSIG	315 PSIG	Max 180°C
Valve Body Flanged 150#	Hydraulic	450 PSIG	315 PSIG	Max 180°C
Valve Body Flanged 300#	Hydraulic	112 PSIG	815 PSIG	Max 180°C

### DIMENSIONS :

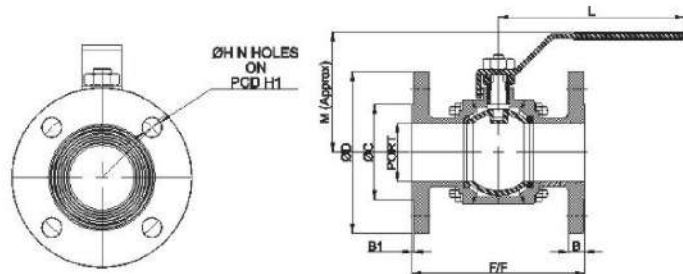
SIZE		A	THDS. BSP	ØH	H1	N	L	M	Approx Weight
MM	IN.								
15	1/2"	68	1/2"	8	42.5	4	122.5	53.5	0.400
20	3/4"	72	3/4"	8.5	53	4	152.5	60.5	0.600
25	1"	84	1"	9	59	4	131.5	67.5	0.800
40	1.1/2"	119	1.1/2"	11	87.5	4	201	92.5	2.100
50	2"	130	2"	10	103	4	228.5	107	3.100

ALL DIMENSIONS ARE IN MM



SIZE		B	B1	C	D	PORT	H	H1	N	F/F	L	M	Approx Weight
MM	IN.												
15	1/2"	10.5	1.5	35	68	12.5	15.5	80	4	108	125	80	1.800
20	3/4"	10.5	1.5	43	96.5	18	16	70	4	117	150	90	2.200
25	1"	12	1.5	51	108	25	16	79.5	4	127	150	75	3.500
40	1.1/2"	14	1.5	73	127	37	16	98.5	4	165	205	100	4.350
50	2"	16	1.5	92	152	50	19	120	4	178	205	110	6.450
65	2.1/2"	17.5	1.5	105	178	64	19	140	4	190.5	205	120	12.300
80	3"	21	1.5	127	190.5	75	19	152	4	203	325	135	17.500
100	4"	23.5	1.5	157	228.5	98	19	190	8	228	325	160	28.600

ALL DIMENSIONS ARE IN MM



# Handle Operated Butterfly Valve



"Vision" offers rubber lined Butterfly Valves for HVAC & utilities. These Valves are truly "Fit & Forget Valve, Which requires minimum maintenance. The body lines which also functions as the soft seat, comes in an integrally moulded version & offers bi-directional sealing against vacuum upto the pressure of PN 10 / PN 16

Size Range : 1/2" to 40"

### Valve



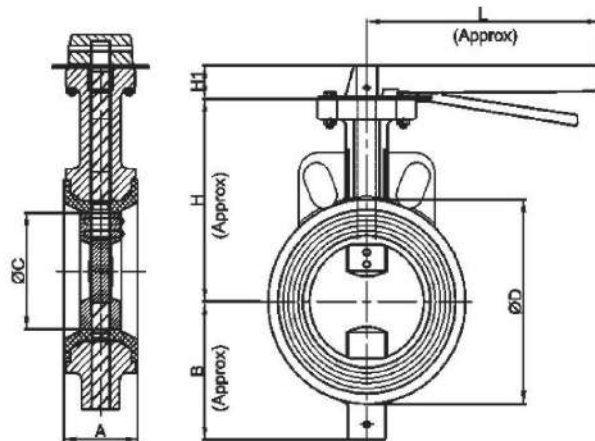
Body	I.C. / CI (IS 210 Gr. FG 200 / 220) WCB / S.S. 304 / S.S. 316
Disc	CF8 / CF8M / CF3M / S.G. Iron / Teflon Coated / Powder Coated / Nylon Coated / Rubber Line
Seat	EPDM / Nitrile / Hayplon / Viton / Moulded or Replaceable muffer type
Shaft	AISI 410 / CF8 / CF8M / CF3M
Valve Type	Centric Disc Butterfly Valve with a single piece rubber lined body
Body Type	Short wafer (sandwiched between flanges)
Seat Type	Integrally moulded with the body
End Connection	Wafer Sandwiched (Lug Type On Request)
Pressure rating	PN 10 /PN 16 (On Request)
Oper. Temp. range	-25 °C to 130 °C (depending on MOC)
Seat Leakage	Tight shut off
Operation	Hand lever for sizes from 40 mm to 350 mm Worm gear boxes for 40 mm to 1 000 mm

Item	Type of Test	Testing Pressure	Operating Temperature (Normal)	Operating Temperature (High)
Valve Body	Hydraulic	225 PSIG	Max. 80°C	High Temp. On request
Seat	Hydraulic	150 PSIG	Max. 80°C	High Temp. On request

### DIMENSIONS :

SIZE		A	B	ØC	ØD	H	L	H1	Approx Weight
MM	IN.								
40	1.1/2"	33	60	38	80	105	185	25	1.750
50	2"	43	60	48	90	115	185	25	2.100
65	2.1/2"	46	65	63	105	120	185	30	2.700
80	3"	46	75	76	122	130	230	30	3.300
100	4"	52	92	100	147	150	230	30	4.200
125	5"	56	105	125	175	155	230	35	5.950
150	6"	56	120	150	200	175	275	35	7.200
200	8"	60	150	201	255	205	350	42	11.800
250	10"	68	190	240	320	255	400	50	25.700
300	12"	78	225	290	375	285	400	50	35.600

ALL DIMENSIONS ARE IN MM



# Handle Operated High Performance Replaceable Seat Spherical Disc Butterfly Valve



"Vision" offers Spherical Disc Valve with compact & Easy Replaceable Seal Design for 10Kg/Cm<sup>2</sup> / 20Kg/Cm<sup>2</sup> & to with stand 180° C to 600° C Temperature

SIZE RANGE : 1 1/2" TO 12"

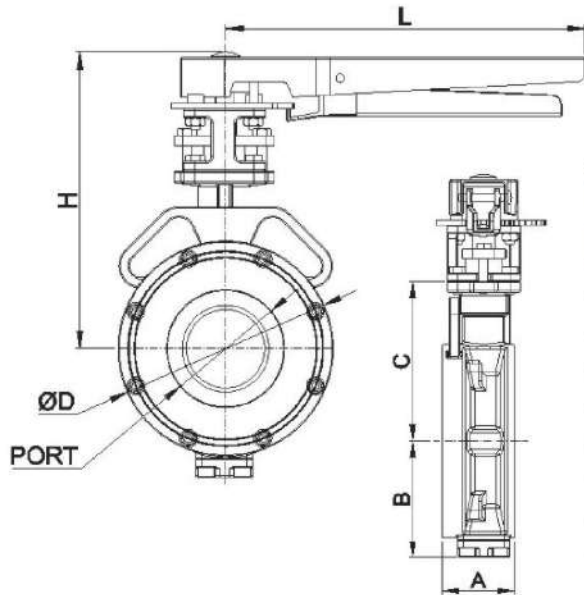
## APPLICATION

- Hygienic Powder & Slurries, especially in Pharmaceutical Industries.
- Chemicals and Dyeing Fluids in Textile Processing
- Brine Waters & Oils.
- Steam Lines, Air/Gas Lines.



## Valve

Body	WCB/CF8/CF8m/Cast Iron
Disc	WCB/CF8/CF8m/Castron
Seat	PTFE (available EPDM / Viton / Metal to Metal)
Plate Mounting	NAMUR Standard
Operation	Hand Lever Type, Worm Gear Box Type, Pneumatic Actuated, Electrical Actuated



## DIMENSIONS :

SIZE		A	B	C	H	PORT	ØD	L	Approx Weight
MM	IN.								
40	1.1/2"	42	58	86	150	38	82	265	2.200
50	2"	45	68	88	150	51	96	265	2.500
65	2.1/2"	48	70	100	170	60	112	265	3.200
80	3"	48	79	109	175	72	131	265	3.800
100	4"	54	95	131	200	100	160	265	5.400
125	5"	57	118	155	225	123	188	300	7.800
150	6"	57	132	170	240	144	219	300	9.550
200	8"	64	161	201	285	192	271	370	15.050

ALL DIMENSIONS ARE IN MM

# MOTORIZED VALVES



Knife Gate Valve



Ball Valve



Electrical  
Actuator  
Operated  
Valves

Control Valve



Offset Disc Valve



Butterfly Valve



Suppliers of various types Electrical Actuators / Electric Actuators, Linear Actuators, Compact Actuators, Pneumatic Actuators with Motorized Valves / Motorized Dampers.

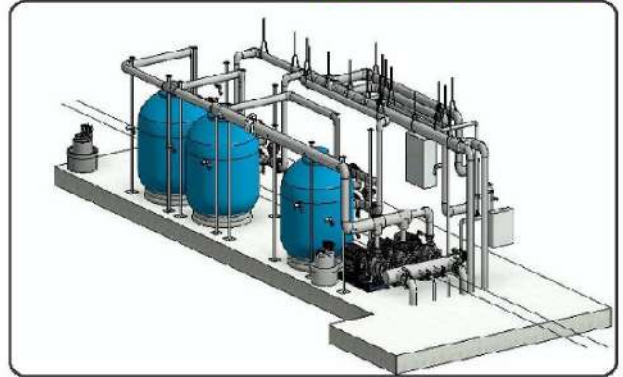
Chemicals



Special



Gas Pipelines



Thermal Power



Steel



Fertilizer



Cement





# VISION ENGINEERS

AN ISO 9001-2015 CERTIFIED co.



Swapna Nagari : shop No.104, Opp. Anna Magar Stadium, Nehrunagar,  
pimpri, pune-411018. (Tel). 020-65202300  
website:- [www.visionvalves.com](http://www.visionvalves.com)  
E-mail :- [khan.visioneng@gmail.com](mailto:khan.visioneng@gmail.com) / [wasim.visioneng@gmail.com](mailto:wasim.visioneng@gmail.com)